

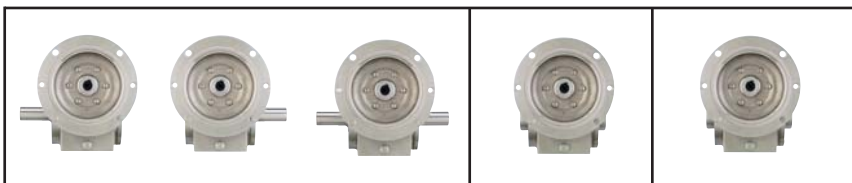
Stainless Steel Maximum Rating Tables

Size 824

Style SBMQ

Style SHMQ

Style SHMQ



824 Series

Ratio	nput		Output		Torque (lb in)	NEMA C nput Frame	L Assembly Catalog No	R Assembly Catalog No	D Assembly Catalog No	H1 Assembly Catalog No *	H2 Assembly Catalog No *
	RPM	RPM	HP	HP							
5	2500	500.0	6.322	5.950	750	143-5TC	S243003700	S243004900	S243006100	S2430457XX	S2430469XX
	1750	350.0	5.323	4.985	898	182-4TC	S243007300	S243008500	S243009700	S2430481XX	S2430493XX
	1170	234.0	4.280	3.976	1071						
	100	20.0	0.655	0.489	1540						
7.5	2500	333.3	4.739	4.401	832	143-5TC	S243003800	S243005000	S243006200	S2430458XX	S2430470XX
	1750	233.3	3.992	3.685	995	182-4TC	S243007400	S243008600	S243009800	S2430482XX	S2430494XX
	1170	156.0	3.204	2.929	1183						
	100	13.3	0.502	0.357	1689						
10	2500	250.0	4.199	3.862	974	143-5TC	S243003900	S243005100	S243006300	S2430459XX	S2430471XX
	1750	175.0	3.564	3.253	1172	182-4TC	S243007500	S243008700	S243009900	S2430483XX	S2430495XX
	1170	117.0	2.808	2.531	1364						
	100	10.0	0.442	0.295	1857						
15	2500	166.7	3.268	2.913	1102	56C	S243000400	S243001600	S243002800	S2430436XX	S2430448XX
	1750	116.7	2.765	2.439	1318	143-5TC	S243004000	S243005200	S243006400	S2430460XX	S2430472XX
	1170	78.0	2.178	1.888	1526						
	100	6.7	0.369	0.217	2056						
20	2500	125.0	2.750	2.365	1192	56C	S243000500	S243001700	S243002900	S2430437XX	S2430449XX
	1750	87.5	2.326	1.972	1421	143-5TC	S243004100	S243005300	S243006500	S2430461XX	S2430473XX
	1170	58.5	1.835	1.522	1640						
	100	5.0	0.337	0.174	2193						
25	2500	100.0	2.335	1.949	1228	56C	S243000600	S243001800	S243003000	S2430438XX	S2430450XX
	1750	70.0	1.967	1.615	1454	143-5TC	S243004200	S243005400	S243006600	S2430462XX	S2430474XX
	1170	46.8	1.551	1.239	1669						
	100	4.0	0.302	0.140	2205						
30	2500	83.3	1.945	1.579	1194	56C	S243000700	S243001900	S243003100	S2430439XX	S2430451XX
	1750	58.3	1.653	1.317	1423	143-5TC	S243004300	S243005500	S243006700	S2430463XX	S2430475XX
	1170	39.0	1.314	1.016	1642						
	100	3.3	0.270	0.116	2197						
40	2500	62.5	1.574	1.195	1205	56C	S243000800	S243002000	S243003200	S2430440XX	S2430452XX
	1750	43.8	1.342	0.994	1433	143-5TC	S243004400	S243005600	S243006800	S2430464XX	S2430476XX
	1170	29.3	1.074	0.766	1650						
	100	2.5	0.245	0.087	2198						
50	2500	50.0	1.335	0.961	1211	56C	S243000900	S243002100	S243003300	S2430441XX	S2430453XX
	1750	35.0	1.137	0.795	1432	143-5TC	S243004500	S243005700	S243006900	S2430465XX	S2430477XX
	1170	23.4	0.911	0.609	1641						
	100	2.0	0.224	0.069	2163						
60	2500	41.7	1.149	0.806	1219	56C	S243001000	S243002200	S243003400	S2430442XX	S2430454XX
	1750	29.2	0.967	0.656	1418	143-5TC	S243004600	S243005800	S243007000	S2430466XX	S2430478XX
	1170	19.5	0.770	0.496	1604						
	100	1.7	0.197	0.054	2054						
80	2500	31.3	0.520	0.348	701	56C	S243001100	S243002300	S243003500	S2430443XX	S2430455XX
	1750	21.9	0.455	0.288	830						
	1170	14.6	0.370	0.219	946						
	100	1.3	0.056	0.024	1202						
100	2500	25.0	0.351	0.219	551	56C	S243001200	S243002400	S243003600	S2430444XX	S2430456XX
	1750	17.5	0.307	0.180	648						
	1170	11.7	0.251	0.136	735						
	100	1.0	0.039	0.015	926						

Consult Factory for other available styles and motor flanges.

Available bore codes

Fraction Size	1"	1-1/8"	1-3/16"	1-1/4"	1-7/16"	1-1/2"
Decimal Size	1.000	1.125	1.188	1.250	1.438	1.500
Output Bore Code	16	18	19	20	23	24

* Catalog numbers are for hollow output shaft reducers.

When ordering, substitute the XX suffix with the required output bore code.

Single Reduction
Worm Gear Reducers

Double Reduction
Worm - Worm Gear Reducers

Double Reduction
Helical - Worm Gear Reducers

WASHGUARD® Reducers
and GEAR-MOTOR™

Ratio Multipliers

Accessories and
Additional Capabilities

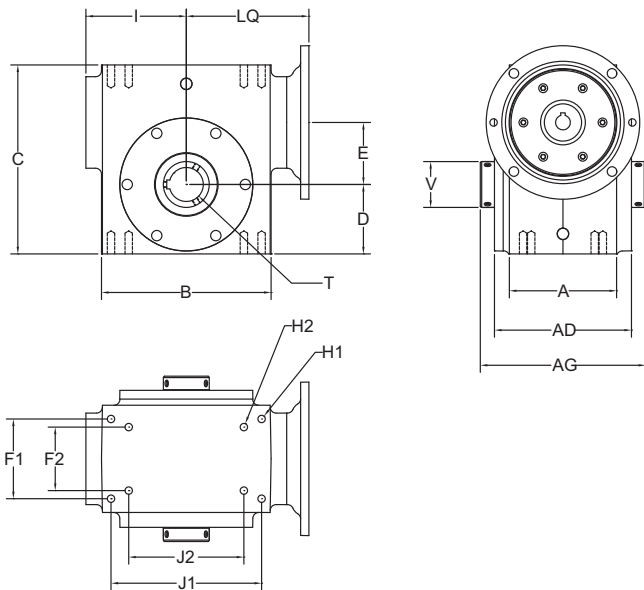
HMQ Style

	A	AD	B	C	D	E	F1	F2	H1	H2		J1	J2	LQ (56C)	LQ (180TC)	T MAX	T KWY	V	AG
813	2 82	3 69	3 80	4 66	1 72	1 333	2 00	N/A	5/16 18	N/A	2 38	3 25	N/A	3 48	N/A	0 625	3/16 x 3/32	1 00	4 75
815	3 44	4 40	4 88	5 38	1 91	1 540	2 75	N/A	5/16 18	N/A	2 91	4 19	N/A	4 01	N/A	0 625	3/16 x 3/32	1 00	5 42
818	3 32	4 40	5 06	5 75	2 06	1 750	2 75	1 63	5/16 18	1/4 20	3 01	4 19	3 13	4 11	N/A	1 000	1/4 x 1/8	1 44	5 50
821	3 60	4 78	5 80	6 38	2 28	2 063	3 00	2 00	5/16 18	5/16 18	3 38	4 75	4 00	4 48	N/A	1 500	3/8 x 3/16	1 94	6 00
824	4 06	4 97	6 12	6 94	2 50	2 375	2 88	N/A	3/8 16	N/A	3 69	5 00	N/A	4 63	5 24	1 500	3/8 x 3/16	1 94	6 00
826	4 54	5 80	7 25	8 00	2 94	2 625	3 38	2 69	3/8 16	3/8 16	4 25	6 38	4 88	5 19	5 80	1 500	3/8 x 3/16	1 94	7 00
832	5 45	6 80	8 50	9 38	3 50	3 250	4 00	2 75	7/16 14	1/2 13	4 94	7 50	6 25	5 88	6 49	2 188	1/2 x 1/4	2 75	7 88

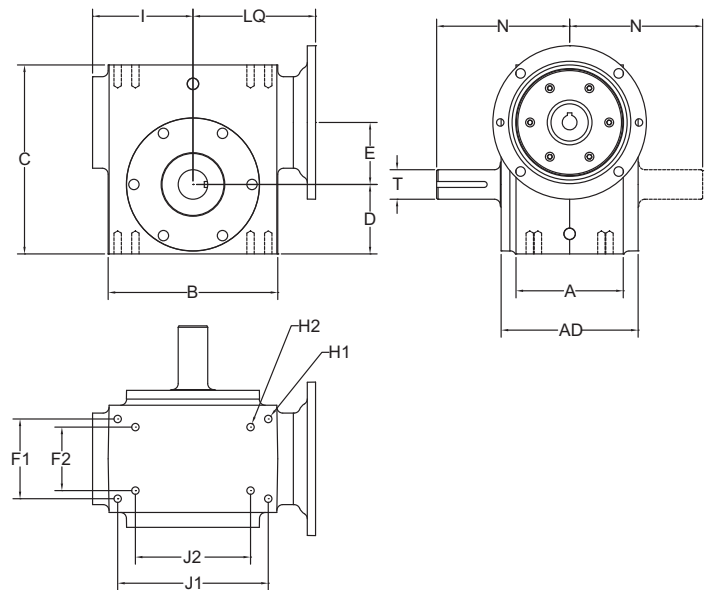
BMQ Style

	A	AD	B	C	D	E	F1	F2	H1	H2		J1	J2	LQ (56C)	LQ (180TC)	N	O/P Key	T
813	2 82	3 69	3 80	4 66	1 72	1 333	2 00	N/A	5/16 18	N/A	2 38	3 25	N/A	3 48	N/A	4 00	3/16 x 1 75	0 625
815	3 44	4 40	4 88	5 38	1 91	1 540	2 75	N/A	5/16 18	N/A	2 91	4 19	N/A	4 01	N/A	4 31	3/16 x 1 75	0 750
818	3 32	4 40	5 06	5 75	2 06	1 750	2 75	1 63	5/16 18	1/4 20	3 01	4 19	3 13	4 11	N/A	4 31	3/16 x 1 38	0 875
821	3 60	4 78	5 80	6 38	2 28	2 063	3 00	2 00	5/16 18	5/16 8	3 38	4 75	4 00	4 48	N/A	4 68	1/4 x 1 45	1 000
824	4 06	4 97	6 12	6 94	2 50	2 375	2 88	N/A	3/8 16	N/A	3 69	5 00	N/A	4 63	5 24	5 14	1/4 x 1 75	1 125
826	4 54	5 80	7 25	8 00	2 94	2 625	3 38	2 69	3/8 16	3/8 16	4 25	6 38	4 88	5 19	5 80	5 63	1/4 x 2 00	1 250
832	5 45	6 80	8 50	9 38	3 50	3 250	4 00	2 75	7/16 14	1/2 13	4 94	7 50	6 25	5 88	6 49	7 06	3/8 x 2 63	1 500

HMQ Style



BMQ Style



Single Reduction
Worm Gear Reducers

Double Reduction
Worm - Worm Gear Reducers

Double Reduction
Helical - Worm Gear Reducers

WASHGUARD® Reducers
and GEAR-H-MOTOR™

Ratio Multipliers

Accessories and
Additional Capabilities